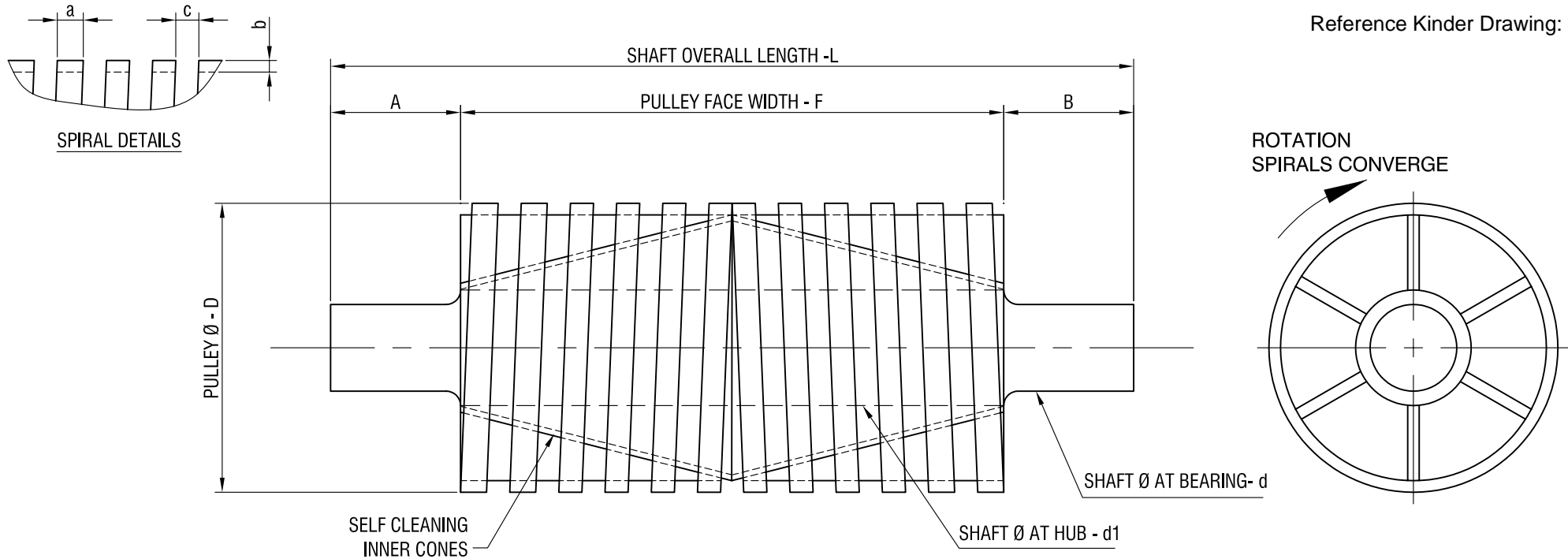


# K-Self Cleaning Non-Drive Pulley Worksheet

Reference Kinder Drawing: 1073



NOMINATE ANY SPECIAL SHAFT OR PULLEY REQUIREMENTS UPON ORDERING  
ALL DIMENSIONS - mm

<p><u>PULLEY</u> :- DIAMETER -D FACE WIDTH -F RIB THICKNESS -a RIBS NUMBER CROWNED:- YES NO SPEED - rev/min</p>	<p><u>SHAFT</u>:- DIA AT BEARING-d DIA AT HUB-d1 <u>SHAFT LENGTHS</u>:- OVERALL LENGTH -L A B BEARINGS CODE:- <small>with cylindrical bore</small> <small>with adapter sleeve</small></p>	<p><u>SHAFT ATTACHMENT</u>:- WELDED TO PULLEY LOCKING ELEMENT TO PULLEY TAPERLOCKED TO PULLEY OTHER</p>	<p><u>SPIRAL DETAILS</u> DIM 'a' WIDTH DIM 'b' THICKNESS DIM 'c' SPIRAL SPACING</p>
---	---	---	---

**K-WS-K-Self Cleaning Non-Drive Pulley; Rev. 0;**

**Issue Date: 29/01/2013**



abn 28 006 489 238

[www.kinder.com.au](http://www.kinder.com.au)



EXPERIENCE INNOVATION PRODUCTIVITY

**Kinder Australia Pty Ltd**

P | +61 3 8587 9111 F | +61 3 8587 9101 E | sales@kinder.com.au

26 Canterbury Rd, Braeside VIC 3195 (PO Box 1026, Braeside VIC 3195)

**Subject to © Kinder Australia Pty Ltd**

Page 1



# K-Self Cleaning Non-Drive Pulley Worksheet

Name: \_\_\_\_\_

Company: \_\_\_\_\_

Site/Operation Location: \_\_\_\_\_

Contact Number: \_\_\_\_\_

Email: \_\_\_\_\_

Date: \_\_\_\_\_

Entered or Approved  
by Kinder Employee: \_\_\_\_\_

Kinder Document ID: \_\_\_\_\_

*K-WS-K-Self Cleaning Non-Drive Pulley; Rev. 0;*

**Issue Date: 29/01/2013**



abn 28 006 489 238

[www.kinder.com.au](http://www.kinder.com.au)



EXPERIENCE INNOVATION PRODUCTIVITY

**Kinder Australia Pty Ltd**

P | +61 3 8587 9111    F | +61 3 8587 9101    E | sales@kinder.com.au

26 Canterbury Rd, Braeside VIC 3195 (PO Box 1026, Braeside VIC 3195)

**Subject to © Kinder Australia Pty Ltd**

Page 2

