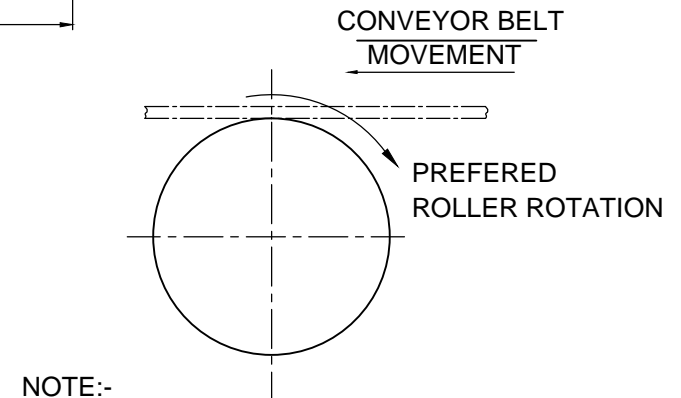


ALL DIMENSIONS - mm

ROLLER ϕ	BELT WIDTH (BW)	ROLLER		SHAFT				SHAFT'S SLOTS		BEARING
		B (FACE)	C (BACK/BACK)	D (O/ALL LENGTH)	E (INSIDE BRG.)	F (UNDER-CUT DIA.)	G (BETWEEN BRGS.)	H (SLOT WIDTH)	K (ACROSS FLAT)	BEARING TYPE
ϕ 140										
OR										
ϕ 166										



- NOTE:-
1. ROLLER TO BE INSTALLED IN SUCH WAY THAT CARRYBACK WILL MOVE TO THE CENTRE
 2. ROTATION DIRECTION ARROWS SHOULD BE MARKED ON BOTH END FACES OF THE ROLLER.

K-Spiral Cleaning Roller; Rev. 2;

K-Spiromax® Cleaning Roller Worksheet

Issue Date: 03/04/2014



abn 28 006 489 238

www.kinder.com.au

Kinder Australia Pty Ltd

P | +61 3 8587 9111 F | +61 3 8587 9101 E | sales@kinder.com.au

26 Canterbury Rd, Braeside VIC 3195 (PO Box 1026, Braeside VIC 3195)

Subject to © Kinder Australia Pty Ltd



Name: _____

Company: _____

Site/Operation Location: _____

Contact Number: _____

Email: _____

Date: _____

Entered or Approved
by Kinder Employee: _____

Kinder Document ID: _____

Issue Date: 03/04/2014

K-Spiral Cleaning Roller; Rev. 2;

K-Spiromax® Cleaning Roller Worksheet



abn 28 006 489 238

www.kinder.com.au

Kinder Australia Pty Ltd

P | +61 3 8587 9111 F | +61 3 8587 9101 E | sales@kinder.com.au

26 Canterbury Rd, Braeside VIC 3195 (PO Box 1026, Braeside VIC 3195)

Subject to © Kinder Australia Pty Ltd

