

EXISTING STRUCTURE DETAILS

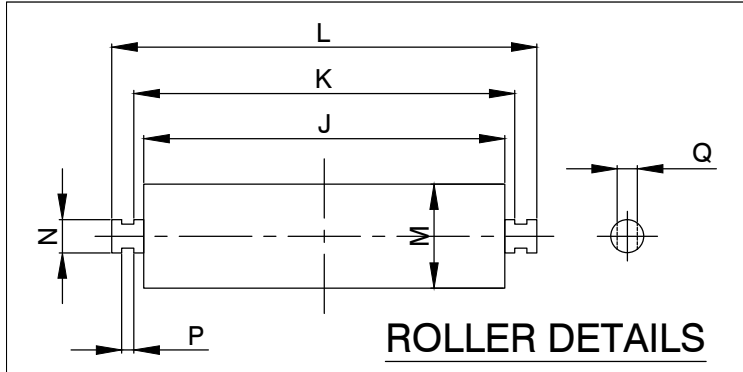
STRINGER DETAILS:

CHANNEL TOE IN ANGLE RHS OTHER
TOE OUT

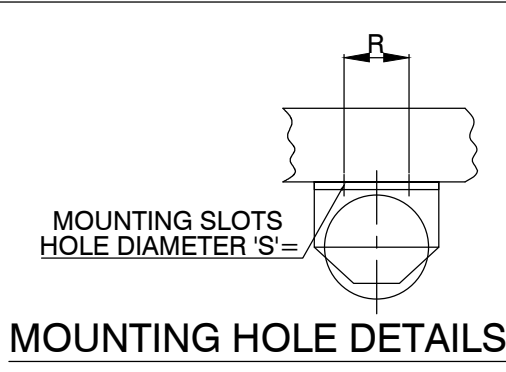
DIMENSION 'E'

ABOVE BOTTOM OF STRINGER
BELOW BOTTOM OF STRINGER

BELT WIDTH A =	
STRINGER INSIDE B =	
MOUNTING HOLES CENTRE C =	
O/ALL DISTANCE D =	
BELT HEIGHT E =	
STRINGER HEIGHT F =	
BELT TO GROUND LEVEL G =	
REFERENCE DISTANCE H =	
ROLLER FACE WIDTH J =	
ROLLER BACK TO BACK K =	
ROLLER O/ALL LENGTH L =	
ROLLER DIAMETER M =	
SHAFT DIAMETER AT BEARING N =	
FLAT CUT WIDTH P =	
ACROSS FLAT Q =	
BRACKET MHC R =	
MOUNTING HOLE DIAMETER S =	



ROLLER DETAILS



MOUNTING HOLE DETAILS

2 ROLL RETURN TRAINER WORKSHEET

K-WS-2 ROLL RETURN TRAINER; Rev. 0;

Kinder Reference Drawing: 2652
Issue Date: 29/01/2013

Page 1



abn 28 006 489 238

www.kinder.com.au



EXPERIENCE INNOVATION PRODUCTIVITY

Kinder Australia Pty Ltd

P | +61 3 8587 9111 F | +61 3 8587 9101 E | sales@kinder.com.au

26 Canterbury Rd, Braeside VIC 3195 (PO Box 1026, Braeside VIC 3195)

Subject to © Kinder Australia Pty Ltd



2 ROLL RETURN TRAINER WORKSHEET

Name: _____

Company: _____

Site/Operation Location: _____

Contact Number: _____

Email: _____

Date: _____

Entered or Approved
by Kinder Employee: _____

Kinder Document ID: _____

Kinder Reference Drawing: 2652

Issue Date: 29/01/2013

K-WS-2 ROLL RETURN TRAINER; Rev. 0;



abn 28 006 489 238

www.kinder.com.au

KINDER KTM

EXPERIENCE INNOVATION PRODUCTIVITY

Kinder Australia Pty Ltd

P | +61 3 8587 9111 F | +61 3 8587 9101 E | sales@kinder.com.au

26 Canterbury Rd, Braeside VIC 3195 (PO Box 1026, Braeside VIC 3195)

Subject to © Kinder Australia Pty Ltd

Page 2

