

K-Safeguard Vee Plough Belt Cleaner



The **K-Safeguard Vee Plough Cleaner** is a floating return side belt cleaner, suitable for single direction conveyors. This cleaner will significantly reduce spillage and extraneous material from the return side of the belt and is designed to protect the tail pulley. This will aid in belt tracking and reduced maintenance costs and down time.

Fine tuning of the plough can be achieved through the use of an adjustment turnbuckle that supports the plough nose. K-Safeguard Vee Ploughs are designed to be self-adjusting, such that as the blades wear, the floating design of the plough allows the blades to maintain belt contact.

Replacement plough blades can be supplied from Kinder Australia to correct length and are easily replaced in the unit.

A model suitable for reversing belts is also available.



OPTIONS AVAILABLE

High Version, Heavy Duty Twin Pole Version, Stainless Steel, Wider Belt Widths



<https://kinder.com.au>

Subject to © Kinder Australia Pty Ltd
Issue: 202101

Kinder Australia Pty Ltd

26 Canterbury Road, Braeside VIC 3195
PO Box 1026, Braeside VIC 3195

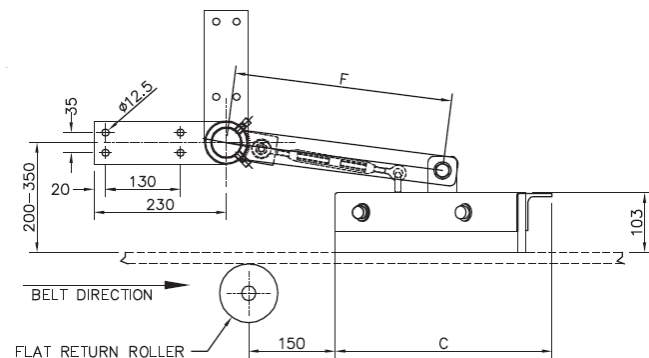
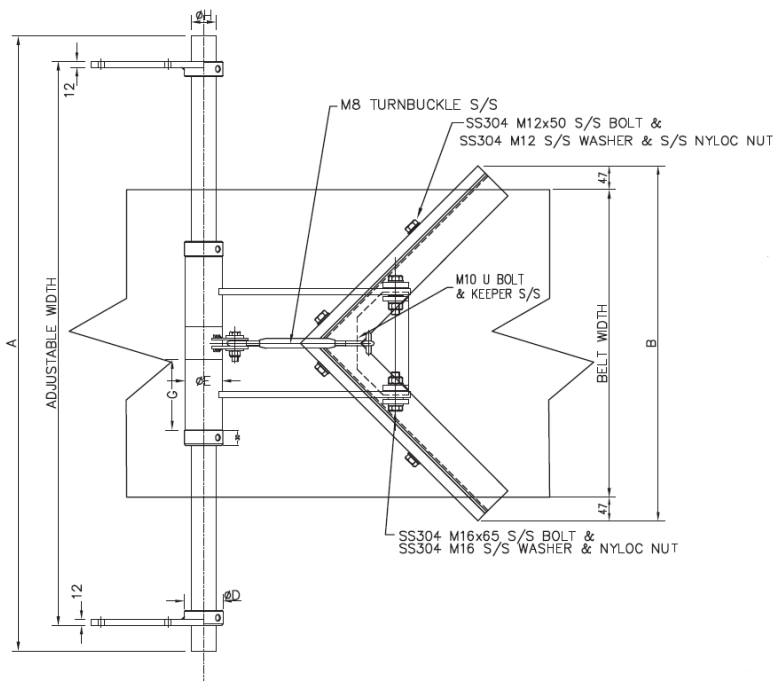
☎ +61 3 8587 9111
☎ +61 3 8587 9101

✉ conveyorsolutions@kinder.com.au
ABN: 28 006 489 238

K-Safeguard Vee Plough Belt Cleaner

K-Safeguard Vee Plough Standard Duty Series									
Dimension	Belt Width (mm)								
	450	500	600	650	750	800	900	1000/1050	1200
A	1050	1100	1200	1200	1200	1400	1500	1650	1800
B	544	594	694	744	844	894	994	1144	1294
C	331	356	406	431	481	506	556	631	706
D	75	75	75	75	75	75	75	75	90
E	60.3	60.3	60.3	60.3	60.3	60.3	60.3	60.3	76.1
F	300	300	300	300	300	300	300	300	300
G	141	141	141	141	141	206	206	206	288
H	48.3	48.3	48.3	48.3	48.3	48.3	48.3	48.3	60.3

Wider belt width dimensions available on request.



Kinder Australia Pty Ltd

26 Canterbury Road, Braeside VIC 3195
PO Box 1026, Braeside VIC 3195

☎ +61 3 8587 9111
☎ +61 3 8587 9101

✉ conveyorsolutions@kinder.com.au

ABN: 28 006 489 238

<https://kinder.com.au>

Subject to © Kinder Australia Pty Ltd

Issue: 202101