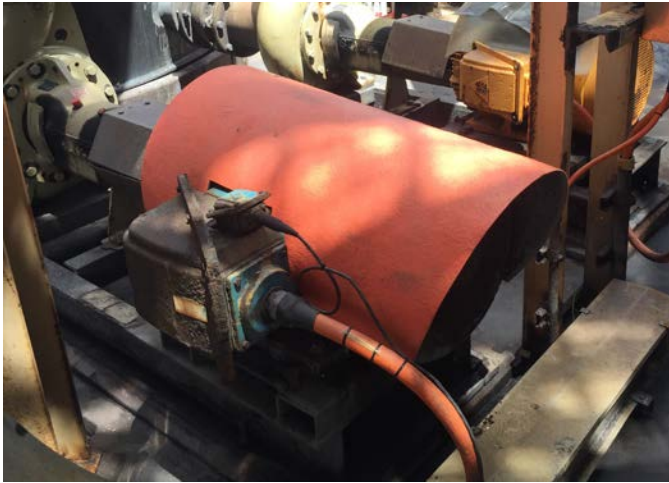


K-MotorShield Motor Covers



Maximise Motor Performance and Longevity.

Dust particles, fine powder, slurry and material spillage can cause havoc on machinery, especially on electric motor drives.

Expensive electric motors when exposed to environmental elements for long periods can have negative impacts on downtime, maintenance, and repair costs.

K-MotorShield Motor Covers provide simple and safe protection that lowers maintenance related costs and extends motor life. They provide the perfect shield for electric motors against dust, debris and water ingress which result in accelerated wear to bearings, brushes and windings and ultimately premature failure if not properly covered.

The K-MotorShield Motor Cover creates a virtual cooling tunnel, lowering the temperature of motors up to 20° C by enabling better air flow while also limiting debris, water, and chemicals from entering in and around the motor.

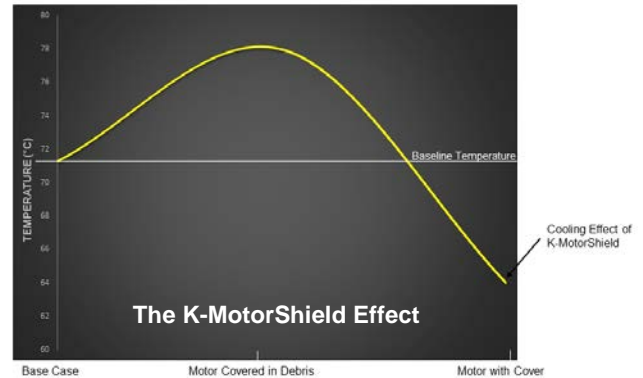
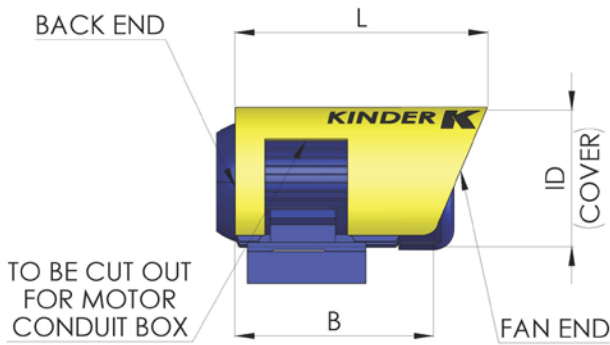
Key Features:

- Durable and lightweight allows for quick and easy installation/removal.
- Innovative snap on design.
- Standardised for any NEMA and IEC frame size.
- High resistance to chemicals and non-conductive properties.

Key Benefits:

- Decreases maintenance costs.
- Increases airflow across motor cooling fins to improve heat transfer.
- Extends motor life by reducing operating temperatures.
- Shields electric motors from debris.
- Simplifies motor maintenance and lowers downtime costs.
- Will not corrode or rust.

K-MotorShield Motor Covers



NEMA Size	IEC	Cover Dimensions (Metric) ID x B x L mm	Part Number
48	71M	152 x 254 x 305	K-SAF-KMS-071
56	80M	165 x 305 x 256	K-SAF-KMS-080
143 / 145	90D / 90L	191 x 406 x 457	K-SAF-KMS-090
182	100L	203 x 406 x 457	K-SAF-KMS-100
184	112M	216 x 431 x 508	K-SAF-KMS-112
213 / 215	132S / 132M	254 x 508 x 572	K-SAF-KMS-132
254 / 256	160M / 160L	330 x 660 x 775	K-SAF-KMS-160
284 / 286	180M / 180L	356 x 711 x 787	K-SAF-KMS-180
324 / 326	200M / 200L	406 x 787 x 851	K-SAF-KMS-200
364 / 365	225M / 225L	445 x 864 x 927	K-SAF-KMS-225
404 / 405	250S / 250M	495 x 965 x 1168	K-SAF-KMS-250
444 / 445 / 447 / 449	280S / 280M / 280K, 280H	559 x 1041 x 1232	K-SAF-KMS-280
504 / 505	315S / 315M	635 x 1346 x 1549	K-SAF-KMS-315
586 / 587	355S / 355M	737 x 1575 x 1803	K-SAF-KMS-355
Contact Kinder			K-SAF-KMS-5009-5012

Optional terminal box cover available upon request.

