

K-Commander® Control Series S & R

Return Side Conveyor Belt Tracking

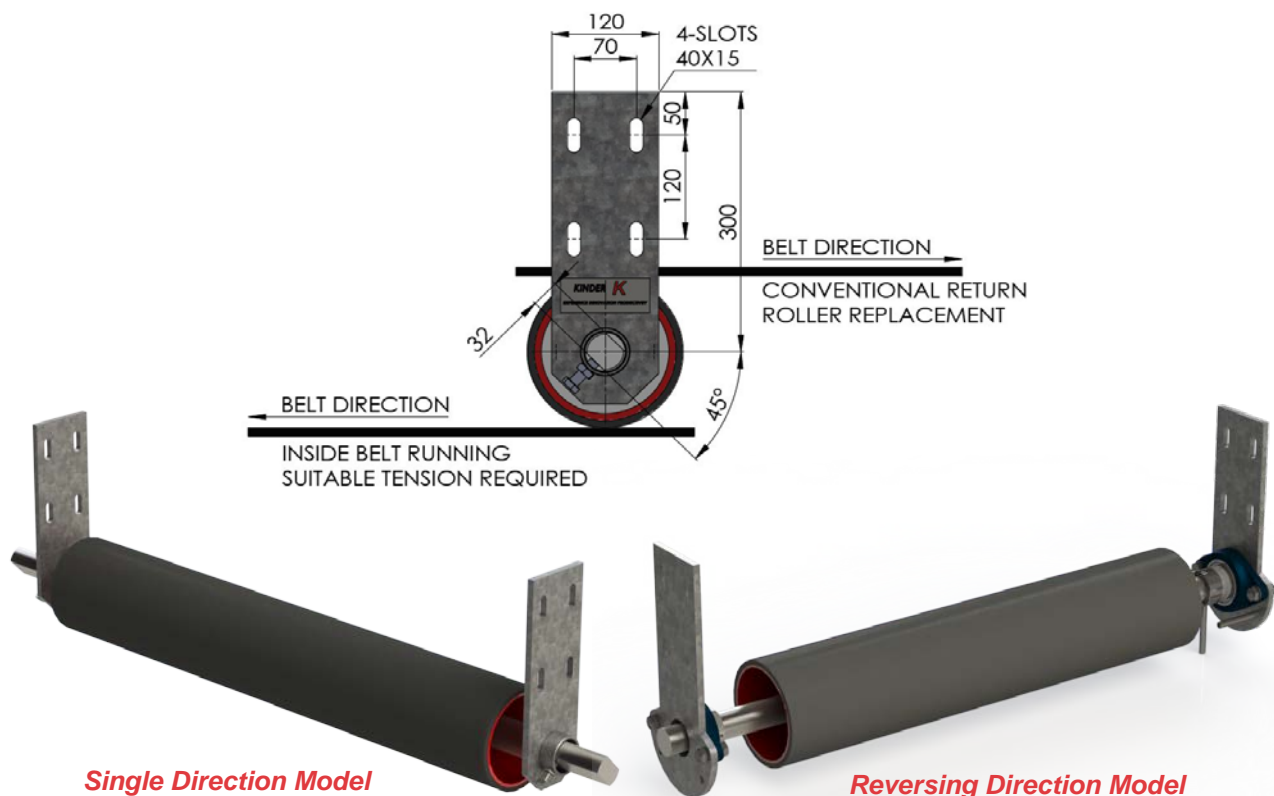
The **K-Commander® Control Series** is designed to promote correct conveyor belt alignment. The unique engineered action of the central ball and socket link is encased in a rubber covered steel tube. This protects the internal mechanics and ensures that the belt runs true. A key benefit of the K-Commander® Control Series is that it tracks without any external moving parts, pivots or service rollers and therefore requires no additional maintenance.

The installation of the K-Commander® Control Series is only for the return side, being the most critical surface of the belt in order to maintain belt alignment. Misaligned or wandering conveyor belts travelling too far either side of the belt's centre, are often the cause of many other problems associated with bulk materials handling. This includes material spillage and reduced performance expectations of the conveyor belting and conveyor structure.



Key features:

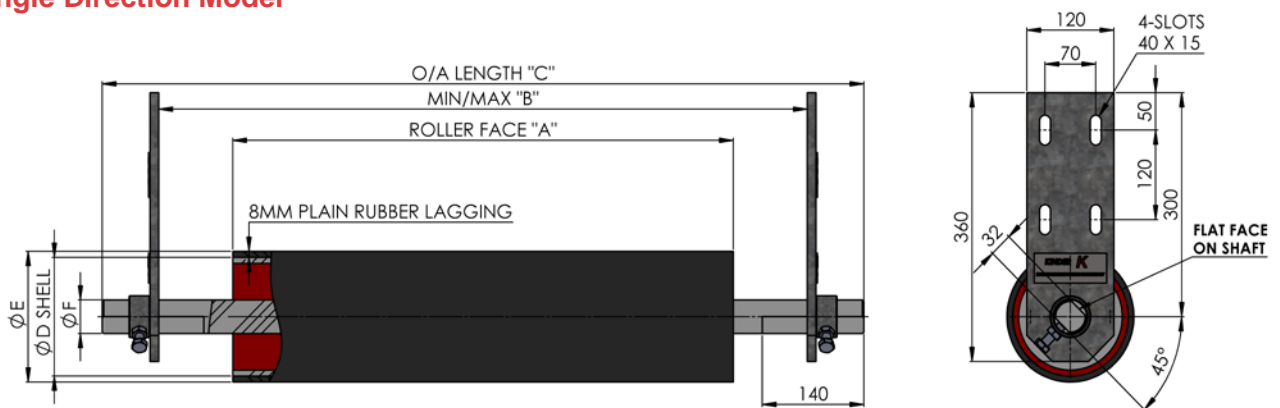
- Rubber lagging for extreme wear resistance.
- No external pivoting parts or servo rollers.
- Heavy duty construction.
- Adjustable mounting brackets for ease of installation.
- Available in single or reversing models.
- Flexibility to install above or below the belt.



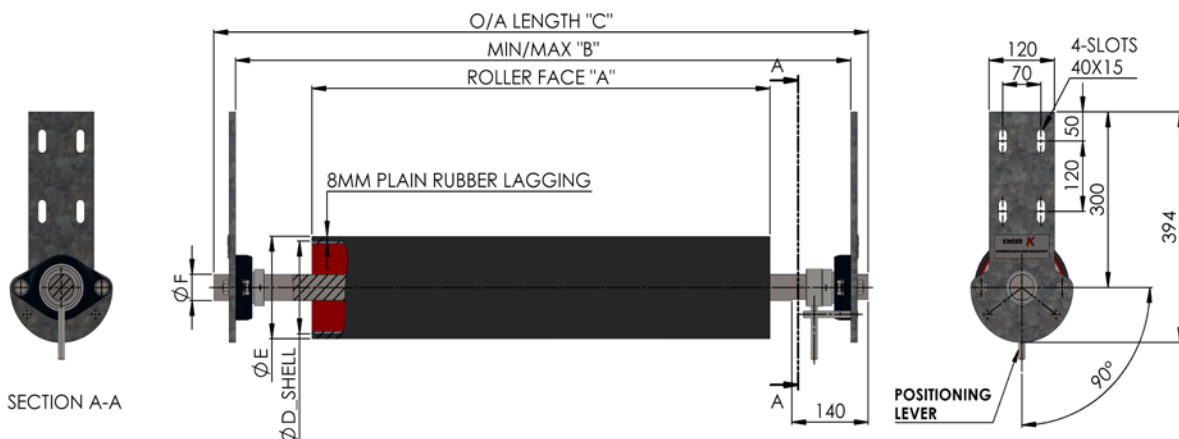
K-Commander® Control Series S & R

Belt Width mm	A mm	B mm	C mm	D mm	E mm	F mm	Description	Part Number Single Direction	Part Number Reverse Direction
30	540	900/620	900	159	175	45	K-Commander® Control Series to suit 450/500BW	K-TRA-SC-0450/500-S	K-TRA-SC-0450/500-R
600/650	690	1050/770	1050	159	175	45	K-Commander® Control Series to suit 600/650BW	K-TRA-SC-0600/650-S	K-TRA-SC-0600/650-R
750/800	840	1200/920	1200	159	175	45	K-Commander® Control Series to suit 750/800BW	K-TRA-SC-0750/800-S	K-TRA-SC-0750/800-R
900/1000	1040	1400/1120	1400	159	175	45	K-Commander® Control Series to suit 900/1000BW	K-TRA-SC-0900/1000-S	K-TRA-SC-0900/1000-R
1050	1090	1450/1170	1450	159	175	45	K-Commander® Control Series to suit 1050BW	K-TRA-SC-1050-S	K-TRA-SC-1050-R
1200	1240	1600/1320	1600	159	175	45	K-Commander® Control Series to suit 1200BW	K-TRA-SC-1200-S	K-TRA-SC-1200-R
1400	1530	1850/1570	1850	193	209	55	K-Commander® Control Series to suit 1400BW	K-TRA-SC-1400-S	K-TRA-SC-1400-R
1500/1600	1730	2150/1870	2150	193	209	55	K-Commander® Control Series to suit 1500/1600BW	K-TRA-SC-1500/1600-S	K-TRA-SC-1500/1600-R
1800	1930	2350/2070	2350	193	209	55	K-Commander® Control Series to suit 1800BW	K-TRA-SC-1800-S	K-TRA-SC-1800-R
2000	2130	2550/2270	2550	193	209	55	K-Commander® Control Series to suit 2000BW	K-TRA-SC-2000-S	K-TRA-SC-2000-R

Single Direction Model



Reversing Direction Model



Recommended Conveyor Belt Tracker Placement Diagram

